



**HIPLÖK**

2024/2025.EN

# THIS IS HIPLOK

## INNOVATION

Our passion for innovation has led to the development of ground-breaking products for cyclists and motorcyclists. These range from the award-winning Z LOK, a practical and lightweight helmet lock, to the revolutionary 1000 Series, which features anti-angle grinder technology.

## DESIGN

Working with cutting-edge materials and manufacturing techniques, we design revolutionary products that solve problems for riders. Most recently, this includes the 1000 Series products, which use new materials never before seen in motorcycle security.

## SECURITY

All Hiplok locks undergo a rigorous testing and development process, using real-world attack methods to ensure they are as strong as possible for purpose. We work with independent security accreditation houses worldwide, including Sold Secure and ART, to certify the strength of our locks.





# MOTORCYCLE SECURITY

At Hiplok, we build quality security trusted by motorcyclists around the world.

Our passion for innovation is matched by a desire to ensure our locks are as strong as possible for purpose. We lead in cutting-edge material development and work with independent security accreditation houses around the world to meet this commitment.

The result is unique, easy to use, quality products you can trust, whether out on a ride or storing your bike at home.

**Because we know.... It's Not Just a Bike**

---

## CONTENTS

<b>1000 SERIES</b>	<b>6-9</b>
D1000 & DX1000 - Anti-Angle Grinder Locks A1000 & AX1000 - Anti-Angle Grinder Anchors	
<b>STORE + SECURE</b>	<b>10</b>
DX & DXXL MEGA CHAIN & ANKR	
<b>ZIP + GO</b>	<b>13</b>
Z LOK COMBO & Z LOK	



ANGLE-GRINDER RESISTANT



FULLY MODULAR SYSTEM



INDOOR & OUTDOOR USE



ART 4 STAR RATED RANGE



SOLD SECURE DIAMOND

# HIPOK 1000 SERIES ULTIMATE SECURITY

Launched in 2021 and utilising advanced material technology, the Hiplok D1000 is the world's first portable D lock able to withstand a severe and sustained angle grinder attack.

It revolutionised the bike industry.

## DEVELOPED FOR MOTORCYCLES

Using the knowledge and feedback gained from the D1000, we developed a range of ultimate security products designed with motorcycles in mind. All 1000 Series products have the same incredible resistance to motorised attack.

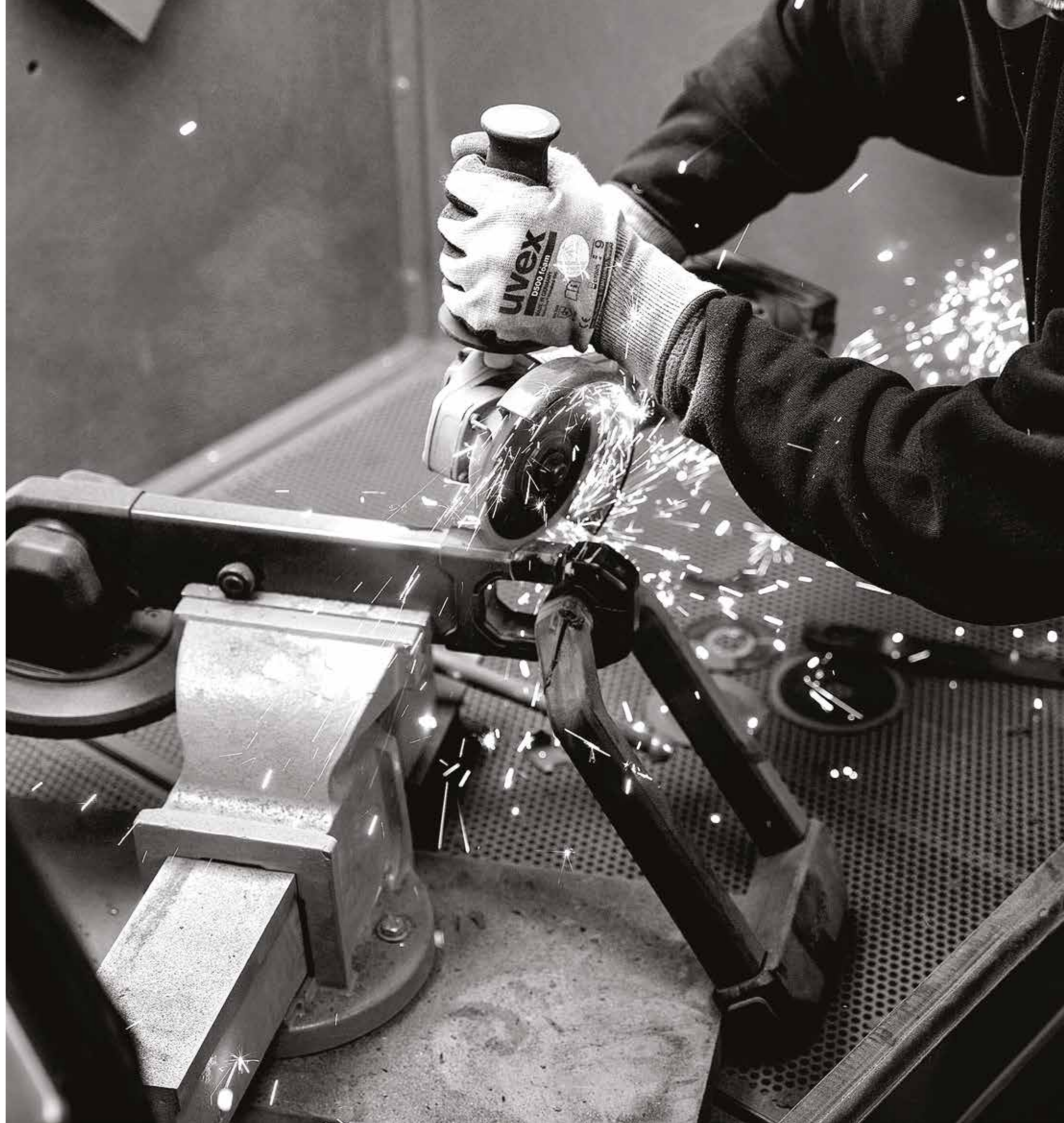
All are Sold Secure Powered Cycle Diamond and ART 4-Star rated.

### THE 1000 SERIES.

- D1000
- DX1000
- A1000
- AX1000



WATCH 1000 SERIES IN ACTION



## Hiplok D1000 | Ultimate Anti-Angle Grinder D Lock

- Compact angle grinder-resistant D lock suitable for motorcycle wheels and frames.
- Unique graphene composite material and square profile premium hardened steel core protect against all attack methods.
- High-quality anti-pick lock barrel.
- Anti-rotation, double-locking tabs mean a thief must cut through both sides of lock.
- Hard-wearing rubberised outer surface prevents frames and wheels from scratches.
- 3 x high-quality coded keys with registration & replacement program.
- Rubberised weather-proof key seal protects against elements.
- 1000 Series Lock Sleeve available for protecting lock when storing and carrying.

Hiplok Item Code : DM1AB  
EAN: 5060277663143



## Hiplok DX1000 | Ultimate Anti-Angle Grinder D Lock

- Angle grinder-resistant D lock suitable for motorcycle wheels and frames.
- Unique graphene composite material and square profile premium hardened steel core protect against all attack methods.
- High-quality anti-pick lock barrel.
- Anti-rotation, double-locking tabs mean a thief must cut through both sides of lock.
- Hard-wearing rubberised outer surface prevents frames and wheels from scratches.
- 3 x high-quality coded keys with registration & replacement program.
- Rubberised weather-proof key seal protects against elements.
- 1000 Series Lock Sleeve available for protecting lock when storing and carrying.

Hiplok Item Code : DXM1AB  
EAN: 5060277663358



## Hiplok A1000 | Compact Anti-Angle Grinder Anchor

- Unique graphene composite material resists angle grinder attacks.
- Optimised sizing for use with Hiplok DX1000 and D1000 D locks.
- Rotating base for easy locking access.
- 8 x high-security expansion fixings.
- Fits to concrete/masonry walls and floors, inside or outside.

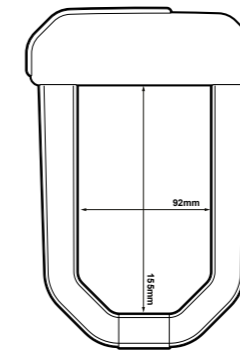
Hiplok Item Code : AAM1AB  
EAN: 5060277663372



## Hiplok AX1000 | Ultimate Anti-Angle Grinder Anchor

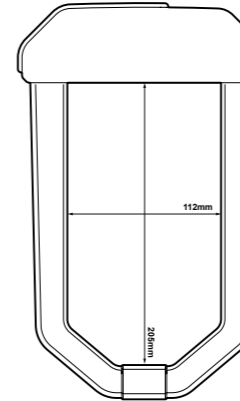
- Unique graphene composite material resists angle grinder attacks.
- Optimised sizing for use with motorbikes, e-bikes, and cycles.
- Combines with DX1000 or D1000 D locks to create the complete anti-angle grinder security system without needing a chain.
- Adjustable rotating base and pivoting arm for easy locking access.
- 8 x high-security expansion fixings.
- Fits to concrete/masonry walls and floors, inside or outside.

Hiplok Item Code : AXM1AB  
EAN: 5060277663365



### Hiplok D1000

Weight: 1.9 kg (4.2 lbs)  
Internal Dimensions:  
H 155mm x W 92mm  
External Dimensions:  
H 230mm x W 155mm x D 40mm



### Hiplok DX1000

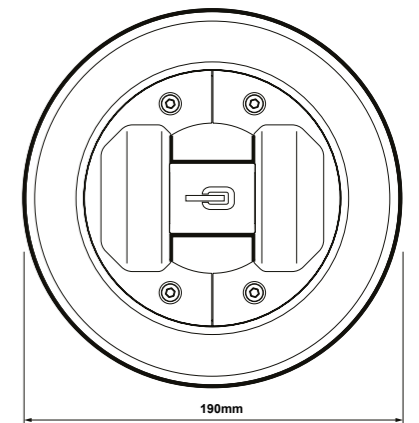
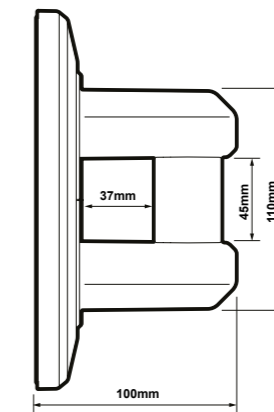
Weight: 2.6 kg (5.7 lbs)  
Internal Dimensions:  
H 205 mm x W 112 mm  
External Dimensions:  
H 290mm x W 180mm x D 45 mm

## Hiplok 1000 SERIES LOCK SLEEVE Compatible with DX1000 and D1000

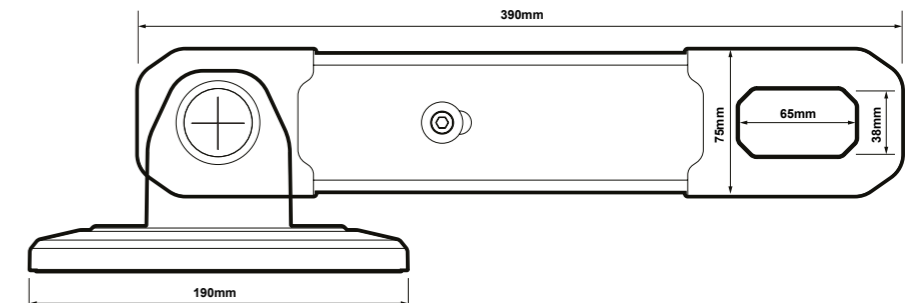
- Sleeve for storing and carrying DX1000 or D1000.
- High quality zip for easy access.
- Padded for protection.
- Water and dirt resistant neoprene fabric.
- Weight: 100g / 0.22 lbs.



Hiplok Item Code: SLM1AB  
EAN: 5060277663686



Weight: 3.6 kg (7.9 lbs)  
Dimensions: 190mm x 190mm x 100 mm



Weight: 6.5 kg (14.3 lbs)  
Dimensions: 190mm x 190mm x 430 mm

# SECURITY RATINGS

WHEN WE DEVELOP A NEW LOCK OR SECURITY PRODUCT, IT UNDERGOES A SERIES OF RIGOROUS TESTS TO ENSURE IT IS FIT FOR PURPOSE.

We work with various independent security accreditation houses worldwide to certify the strength of our locks, including Sold Secure in the UK.

Companies such as Sold Secure are independent, impartial, and non-profit testing facilities. They put locks through a variety of tests and assign them a security level to make it easier for customers to compare different locks and brands. Tests include lock picking, lock manipulation, drilling and cutting, bolt croppers, and other typical attack techniques.

## SOLD SECURE POWERED CYCLE (MOTORCYCLE) RATING



### DIAMOND PROTECTION LEVEL - ULTIMATE SECURITY

Ultimate Security Resists highly significant, professional theft attempts including motorised attack methods from angle grinders and drills for several minutes.



### GOLD PROTECTION LEVEL - HIGH SECURITY

Resists multiple attacks from the strongest hand tools available, for a significant period of time - large bolt croppers and TCT Hacksaw for example.

## ART LOCKING RATING



### ART 4-STAR RECOMMENDED LOCK FOR MOTORCYCLES

Widely used as the standard for motorcycle insurers in Benelux. Resists opening attempts with a variety of tools for a few minutes, including attack from angle-grinders. In addition, ART 4\* testing includes advanced picking methods, destructive testing with brute force, in-depth freeze attack testing and anti-corrosion tests.



## STORE + SECURE | D LOCKS, CHAINS & ANCHOR

### DX | High security D Lock

Shackle: **14mm** Weight: **1.1kg** Locking Area: **15cm x 8.5cm**

- Double deadlock
- Anti-rotation double-locking
- Patented Clip + Ride System
- Gold Powered Cycle Sold Secure rated
- 3 x coded replaceable keys
- Lifetime Warranty when registered on [www.hiplok.com](http://www.hiplok.com)

- DX1AB / B0003201
- DX1OR / B0003202



### DXXL | High Security Loop Chain + D Lock

Shackle: **14mm** Chain: **14mm** Weight: **6.1kg** Locking Length: **100cm**

- Ideal for at home motorcycle security
- Hardened steel shackle
- Gold Powered Cycle Sold Secure rated
- 3 x coded replaceable keys
- Lifetime Warranty when registered on [www.hiplok.com](http://www.hiplok.com)

- DXXL1AB / B0005501



### MEGA CHAIN | Maximum Security Loop Chain

Chain: **22mm** Weight: **12kg** Locking Length: **130cm**

- Ultimate security chain
- Compatible with D1000 & DX1000
- Diamond Powered Cycle Sold Secure rated
- Lifetime Warranty when registered on [www.hiplok.com](http://www.hiplok.com)

- MCH1AB / B0005304



### ANKR | High Security Anchor

Dimensions: **10 x 10 x 8.5cm** Locking Area: **4.5 x 7cm**

- Unique easy fit and relocate design
- 4 x secure fixings included
- Ground or wall use
- Rubberised frame protection
- Gold Powered Cycle Sold Secure rated
- Lifetime Warranty when registered on [www.hiplok.com](http://www.hiplok.com)

- ANKR1AB / B0008201
- ANKR1LG / B0008204
- ANKR1WT / B0008202
- ANKR1RD / B0008203





**Z LOK COMBO** | Lightweight Security Tie

Weight: **70g** Locking Length: **43cm**

- Reinforced steel core
- 3 digit resettable combination lock
- Lock & hold design fastens down while locking
- Multi-functional for use with helmets & accessories
- Adjustable locking length

- ZCOM1AB / B0001201    ● ZCOM1UG / B0001204
- ZCOM1TE / B0001202    ● ZCOM1PK / B0001205
- ZCOM1YL / B0001203



**Z LOK SINGLE** | Ultra-Lightweight Security Tie

Weight: **20g** Locking Length: **40cm**

- Reinforced steel core
- Twin locking tabs
- Lock & hold design fastens down while locking
- Multi-functional for use with helmets & accessories
- 1 x universal release key included

- ZLK1AB / B0001101
- ZLK1CY / B0001102
- ZLK1OR / B0001103



**Z LOK TWIN PACK** | Ultra-Lightweight Security Ties - 2 Pack

Weight: **20g (per Z LOK)** Locking Length: **40cm**

- Reinforced steel core
- Twin locking tabs
- Lock & hold design fastens down while locking
- Multi-functional for use with helmets & accessories
- 2 x universal release keys included

- ZLK2AB / B0001104
- ZLK2LI / B0001105
- ZLK2RD / B0001106



**Z LOK MULTI PACK** | Ultra-Lightweight Security Ties - 4 Pack

Weight: **20g (per Z LOK)** Locking Length: **40cm**

- Reinforced steel core
- Twin locking tabs
- Lock & hold design fastens down while locking
- Multi-functional for use with helmets & accessories
- 4 x universal release keys included

- ZLK4AB / B0001107
- ● ● ● ZLK4MC / B0001108





# HIPLØK



@hiplik | facebook.com/hiplik | @hipliklocks

[www.hiplik.com](http://www.hiplik.com)